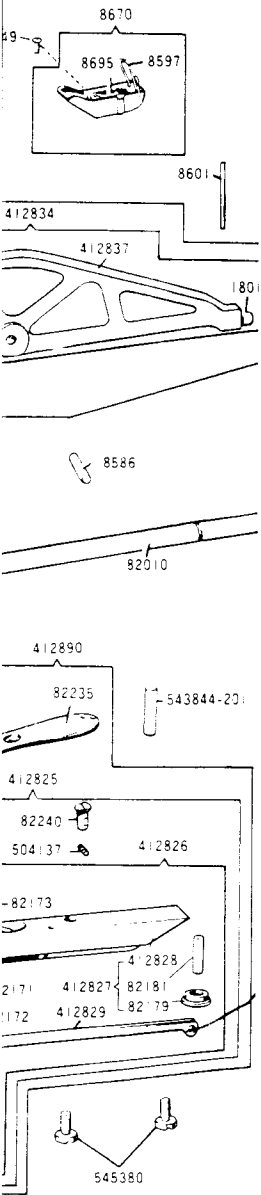


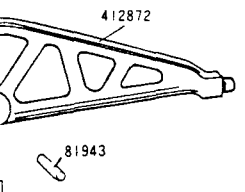
MACHINE PARTS CHART for SINGER*

29U 171A
172A
173A

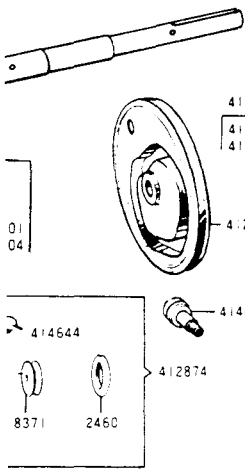
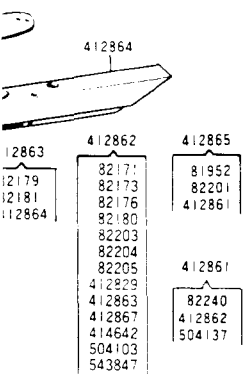


* A Trademark of THE SINGER COMPANY
Copyright © 1987 SINGER SEWING MACHINE COMPANY
All Rights Reserved Throughout The World

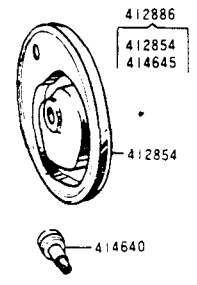
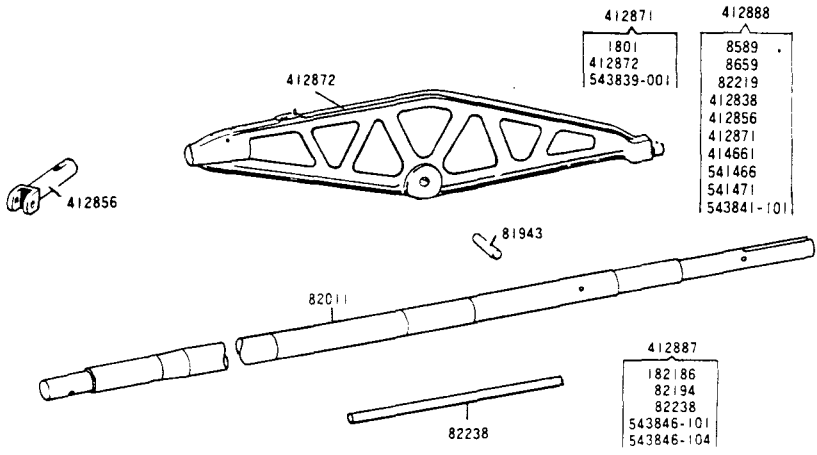
DIFFER FROM M/C. 29U171A



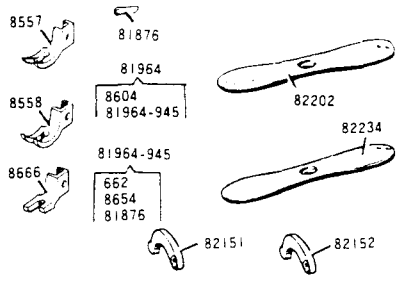
857
58
59
19(2)
80



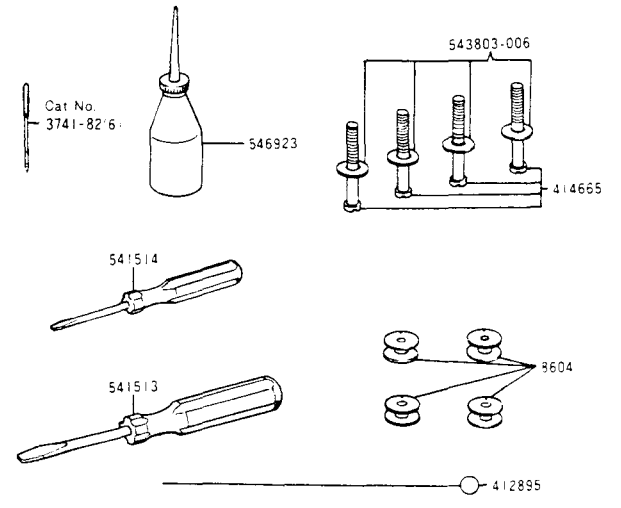
M/C. 29U173A PARTS WHICH DIFFER FROM M/C. 29U171A



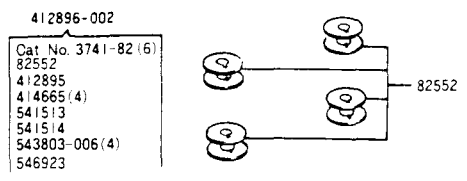
OPTIONAL PARTS



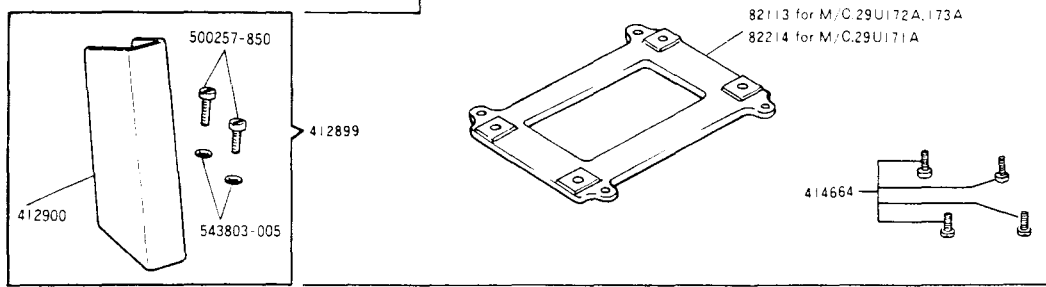
ACCESSORIES FOR M.C. 29U171A & 29U173A P N.412896-001



ACCESSORIES FOR M/C. 29U172A P/N.412896-002



OPTIONAL ACCESSORIES



NUMERICAL LIST OF PARTS FOR 20111111 MACHINE

<u>Part No.</u>	<u>Description</u>	<u>Part No.</u>	<u>Description</u>
241	Shuttle Carrier Spring Screw	82173	Needle Plate Releasing Lever
662	Shuttle Tension Regulating Screw	82174	Pinion Cover Plate
1177-350	Vibrating Presser Lifting Lever Shaft	82176	Rack (Short)
	Lever Clamping Screw	82177	Shuttle Carrier
1801	Needle Bar Driving Lever Cam Roller and Stud	82179	Shuttle Carrier Driving Pinion Bushing
1808	Shuttle Driving Cam Roller and Stud	82180	Shuttle Carrier Following Pinion
1816	Feed Motion Ring Slide Bar Roller and Stud	82181	Shuttle Carrier Following Pinion Stud
		82184	Shuttle Driving Lever with 1808
2102	Tension (Side) Disc (2)	82186	Shuttle Driving Lever Connecting Rod End (Back)
2103	Tension (Side) Spring	82188	Stitch Regulator
2460	Bobbin Winder Spindle Pulley Rubber Ring	82194	Shuttle Driving Lever Connecting Rod End (Front)
4258	Arm Side Cover (Back)	82219	Check Lever Tension Spring
4449	Shaft Bushing	82230	Stitch Regulator Gib
8371	Bobbin Winder Spindle Pulley	82232	Shuttle Driving Lever Connecting Rod
8564	Foot Bar Revolving Joint	82235	Needle Plate (Fine and Medium Needle Holes)
8571	Foot Bar Revolving Joint Washer		
8574	Head Revolving Bushing Friction Spring	82240	Needle Plate Hinge Pin
8577	Head Revolving Bush Supporting Washer	84113	Tension (Top) Disc Washer (Leather)
8580	Needle Bar Driving Lever Joint Pin	109535	Head Revolving Bush Star (Thumb Screw)
8589	Needle Bar Piston Joint Pin	113218	Vibrating Presser Roller
8597	Oil Cup Spring	154981	Hand Wheel Handle Spindle Nut
8601	Spool Pin	154983	Shuttle Driving Lever Eccentric Stud Nut
8603	Shuttle and Bobbin Complete 8603-845, 8604	412801	Needle Bar Cam and Pulley Wheel
8603-845	Shuttle Complete 8603, 8611, 8654	412805	Shuttle Driving Cam and Gear Complete 81071, 82071, 84070
8604	Shuttle Bobbin		
8610	Shuttle Carrier Spring	412806	Shuttle Driving Lever Connecting Rod Complete 82186, 82194, 82232, 84384-101, 84384-104
8611	Shuttle Tension Spring		
8617	Tension (Top) Cup (Release)	412807	Shuttle Driving Lever Eccentric Stud
8618	Tension (Top) Disc (2)	412808	Head of Machine
8619	Tension (Top) Spring	412809	Tension (Top) Adjusting Stud
8620	Thread Eyelete (Head of Arm)	412810	Tension (Side) Adjusting Stud Complete (for Agent) 412811, 543470
8651	Bobbin Winder Spindle	412811	Tension (Side) Adjusting Stud
8654	Shuttle Body	412812	Head Revolving Bush
8656	Needle Bar Thread Tension Spring	412813	Vibrating Presser Lifting Lever Shaft
8659	Check Lever	412814	Vibrating Presser Lifting Lever Shaft Lever
8670	Oil Cup with cover, top	412815	Vibrating Presser Spring Bar
8675	Foot Bar	412816	Foot Bar Revolving Joint Complete 82055, 82056, 804504 (2)
8695	Oil Cup Oil End (Feet)	412818	Feed Motion Bell Crank Lever
81358	Needle Bar Clamp	412821	Needle Bar Piston Joint
81366	Hand Wheel Handle	412822	Needle Bar Complete 8656, 412823, 412824, 543819 (2), 543820
81368	Vibrating Presser Roller Pin	412823	Needle Bar
81369	Hand Wheel Shaft Gear	412825	Shuttle Driving Gear Box 412826 with 82043 & 804137
81372	Shuttle Driving Cam Gear	412826	Shuttle Driving Gear Box Complete 82171, 82172, 82173, 82174, 82176, 82180, 412827, 412828, 412829, 412830, 414642, 804103 (2), 846847
81365	Bobbin Winder Spindle Complete (8371 & 8651) for Agent	412827	Shuttle Driving Gear Box 412828 with 82179 & 82181
82007	Feeding Foot	412828	Shuttle Driving Gear Box Rack (Long)
82008	Hand Wheel Shaft	412829	Needle Bar Clamp Complete 81358, 543823
82010	Shaft (Short)	412830	Shuttle Driving Gear Box 412827 with 82043 & 804137 for Agent
82034	Arm Side Cover (Front)	412831	Needle Bar Cam and Pulley Wheel with 414645
82032	Hand Wheel Hub	412832	Needle Bar Driving Lever Complete 8580, 8650, 82010, 412821, 412824, 412828, 414641, 81066, 81071, 84384-101
82052	Feed Motion Ring Slide Bar	412833	Needle Bar Driving Lever (Body) Complete 1811, 412827, 843839-001
82064	Foot Bar Revolving Joint Bearing	412837	Needle Bar Driving Lever (Body)
82065	Foot Bar Revolving Joint Bearing Complete 8564, 8571, 82054	412838	Check Lever Tension Stud
82066	Foot Bar Revolving Joint Slide Rod Lifter	412839	Hand Wheel Hub Complete 80052, 412829
82073	Shuttle Driving Cam		
82086	Bobbin Winder Frame		
82116	Tension (Side) Thread Guide Pin		
82120	Head Revolving Bush Handle		
82129	Vibrating Presser Spring		
82131	Vibrating Presser Spring Bar Collar		
82149	Feed Motion Cam Wheel with 81869, 113218		
82150	Vibrating Presser Lifting Lever (for Medium Work)		
82155	Vibrating Presser Lifting Lever Shaft Adjusting Lever		
82160	Hand Wheel Star Motion Flunger Spring		
82171	Needle Plate Locating Flunger		
82172	Needle Plate Locating Flunger Spring		

Part No.	Description	Part No.	Description
412840	Hand Wheel and Stop Motion Complete 81866, 82162, 154981, 412842, 412844, 412845, 412894, 41-557, 414658, 541469	541466 541468	Check Lever Tension Stud Nut Vibrating Presser Spring Bar Adjusting Nut
Lever		541469 541471	Hand Wheel Stop Motion Plunger Thumb Nut Check Lever Thread Take-up Adjusting Screw Lock Nut
412841	Hand Wheel Stop Motion Flanged Bushing	543839-001	Check Lever Spring Steady Pin
412842	Hand Wheel Stop Motion Plunger	543841-101	Check Lever Joint Pin
412844	Hand Wheel	543841-104	Head Revolving Bush Friction Spring Pin
412845	Hand Wheel Handle Spindle	543842-103	Feed Motion Cam Wheel Pin
412846	Bobbin Winder Complete 2400, 3071, 3091, 82086, 412848, 414644	543842-103	Hand Wheel Shaft Gear Pin
412848	Bobbin Winder Eccentric	543842-106	Needle Bar Cam and Pulley Wheel Pin
412880	Head of Machine Complete 8574, 8577, 8617, 8618 (2), 8619, 8620, 8675, 82007, 82059, 82116, 82123, 82129, 82131, 82155, 82188, 82230, 84113, 109535, 412808, 412809, 412812, 412813, 412815, 412816, 412818, 412822, 412881, 412891, 412892, 414648 (2), 414649, 414650, 414651, 414652, 414653, 414654, 504145-452 (3), 542468, 543841-104, 543846-104, 545303 (2), 545470	543842-106	Shuttle Driving Cam Gear Pin
Connecting Rod		543844-201	Shuttle Driving Gear Box Position Pin
Connecting Rod		543846-101	Shuttle Driving Lever Connecting Rod End Pin (Front)
Connecting Rod		543846-104	Shuttle Driving Lever Connecting Rod End Pin (Back)
Medium Needle		543846-104	Foot Bar Revolving Joint Hinge Pin
er (Leather)		543847	Needle Plate Releasing Lever Hinge Pin
pp Thumb Screw		544383	Needle Bar Needle Clamping Screw
or		545286	Hand Wheel Stop Motion Flanged Bushings Binding Screw (2)
ile Nut		545303	Head Revolving Bush Handle Screw (2)
Eccentric Stud		545319	Needle Bar Thread Tension Springs (2)
ey Wheel		545380	Shuttle Driving Gear Box Screw (2)
l Gear Complete		545470	Tension (Top) Adjusting Stud Thumb Nut
Connecting Rod		545470	Tension (Side) Adjusting Stud Thumb Nut
l, 30321, 341844-		549898	Shuttle Driving Cam Gear Set Screw
412893	Hand Wheel Shaft Complete 81869, 82008, 543842-103	549349	Oil Cup Screw
Eccentric Stud		549380	Needle Bar Clamp Screw
412894	Hand Wheel Stop Motion Flanged Bushing Complete 412841, 545286	SUPPLEMENTARY PARTS LIST FOR 290172A MACHINE (Same as the complete list for 290171A with the following exceptions)	
414643	Shuttle Carrier Driving Pinion Screw	PARTS ADDED	
414644	Bobbin Winder Eccentric Thumb Screw	404	Shuttle Thread Pull-off Screw
414645	Needle Bar Cam and Pulley Wheel Set Screw	7868	Shuttle Bobbin Retaining Springs
414646	Shuttle Driving Lever Connecting Rod Hinge Screw	8666	Feeding Foot (for Waxed Thread)
414648	Head Revolving Bush Supporting Washer Screw (2)	80548	Tension (Side) Spring
414649	Vibrating Presser Lifting Lever Shaft Adjusting Lever Clamping Screw	81888	Needle Bar Clamp
414651	Vibrating Presser Lifting Lever Shaft Adjusting Lever Hinge Screw	81948	Needle Bar Driving Lever Joint Pin
414651	Vibrating Presser Spring Bar Collar Screw	81951	Shuttle Thread Pull-off
414652	Lifter Hinge Screw	81952	Shuttle and Bobbin Complete 81980-045, 82552
414653	Feed Motion Bell Crank Lever Joint Screw (2)	81952-945	Shuttle Complete 404, 7868, 81951, 81993, 81994, 109132, 109133
414654	Stitch Regulator Thumb Screw	81993	Shuttle Body
414655	Vibration Presser Lifting Lever Screw	81994	Shuttle Tension Springs
414656	Arm Side Cover (Front) Screw (3)	82011	Shaft (Lower)
414656	Hand Wheel Hub Screw (3)	82080	Bobbin Winder Spindle with 15072
414657	Hand Wheel Retaining Screw	82089	Bobbin Winder Spindle Complete (8371 & 82088) for Awent
414658	Hand Wheel Stop Motion Plunger Stop Screw	82201	Needle Plate (Fine and Medium Needle Holes)
414661	Check Lever Thread Take-up Adjusting Screw	82203	Needle Plate Locating Plunger Spring
414680	Shuttle Driving Lever Bearing Screw	82204	Pinion Cover Plate
504304	Arm Side Cover (Back) Thumb Screw	82205	Shuttle Carrier
504371	Head Binding Screw (4)	82216	Shuttle Driving Lever Connecting Rod
504371	Bobbin Winder Frame Screw	82552	Shuttle Bobbin
504103	Pinion Cover Plate Screw (2)	109132	Shuttle Tension Regulating Screw
504137	Needle Plate Hinge Pin Binding Screw	109133	Shuttle Bobbin Retaining Spring Screw
504145-452	Thread Eyelet Screw	412819	Tension (Side) Adjusting Stud Complete 2102 (2), 2103, 412811, 545470
504145-452	Head Revolving Bush Friction Spring Screw	412854	Needle Bar Cam and Pulley Wheel
504145-452	Feeding Foot Screw	412855	Shuttle Driving Lever Connecting Rod Complete 82136, 82194, 82236, 543844- 101, 543846-104
504304	Foot Bar Revolving Joint Slide Rod Lock Nut (Upper)	41-334	Needle Bar Revolving Joint
504304	Foot Bar Revolving Joint Slide Rod Lock Nut (Lower)		

Part No.	Description	Part No.	Description
412857	Needle Bar Complete 8656, 412858, 412859, 545319 (2), 549380	412822	Needle Bar Complete 8656, 412823, 412830, 545319 (2), 549380
412858	Needle Bar	412823	Needle Bar
412859	Needle Bar Clamp Complete 81888, 544383	412825	Shuttle Driving Gear Box 412826 with 82240 & 504137
412861	Shuttle Driving Gear Box 412862 with 82240 & 504137	412826	Shuttle Driving Gear Box Complete 82171, 82172, 82173, 82174, 82176, 82180, 412827, 412829, 412882, 412889, 414642, 504103 (2), 543847
412862	Shuttle Driving Gear Box Complete 82171, 82173, 82176, 82180, 82203, 82204, 82205, 412829, 412863, 412867, 414642, 504103 (2), 543847	412827	Shuttle Driving Gear Box 412828 with 82179 & 82181
412863	Shuttle Driving Gear Box 412864 with 82179 & 82181	412828	Shuttle Driving Gear Box
412864	Shuttle Driving Gear Box	412830	Needle Bar Clamp Complete 81858, 544383
412865	Shuttle Driving Gear Box Complete 82201, 81952, 412861	412831	Shuttle Driving Gear Box 412827 with 82240 & 504137
412866	Shuttle Driving Gear Box 412863 with 82240 & 504137	412832	Needle Bar Cam and Pulley Wheel with 414645
412867	Shuttle Carrier Driving Finion	412833	Needle Bar Driving Lever Complete 8589, 8659, 82219, 412821, 412834, 412838, 414661, 541466, 541471, 543841-101
412871	Needle Bar Driving Lever (Body) Complete 1801, 414872, 543839-001	412834	Needle Bar Driving Lever (Body) Complete 1801, 412837, 543839-001
412872	Needle Bar Driving Lever (Body)	412837	Needle Bar Driving Lever (Body)
412874	Bobbin Winder Complete 2460, 8371, 15072, 82086, 82088, 82089, 412842, 414644	412846	Bobbin Winder Complete 2460, 8371, 8651, 82086, 412848, 414644
412879	Head of Machine Complete 8574, 8577, 8617, 8618 (2), 8619, 8620, 8666, 8675, 82059, 82116, 82123, 82129, 82131, 82155, 82188, 82230, 84113, 109535, 412808, 412809, 412812, 412813, 412815, 412816, 412818, 412819, 412857, 412881, 412893, 414643 (2), 414649, 414650, 414651, 414652, 414653, 414654, 504145-452 (3), 541468, 543841-004, 543846-104, 545303 (2), 545470	412882	Head of Machine Complete 8574, 8577, 8617, 8618 (2), 8619, 8620, 8675, 82007, 82059, 82116, 82123, 82129, 82131, 82155, 82188, 82230, 84113, 109535, 412808, 412809, 412812, 412813, 412815, 412816, 412818, 412822, 412861, 412891, 412892, 414643 (2), 414649, 414650, 414651, 414652, 414653, 414654, 504145-452 (3), 541468, 543841-004, 543846-104, 545303 (2), 545470
412886	Needle Bar Cam and Pulley Wheel with 414645	412882	Shuttle Carrier Complete 241, 8612, 82177
412888	Needle Bar Driving Lever Complete 8589, 8659, 82219, 412838, 412856, 412871, 414661, 541466, 541471, 543841-101	412889	Shuttle Carrier Driving Finion
414640	Shuttle Driving Lever Bearing Screw	412890	Shuttle Driving Gear Box Complete 8603, 82235, 412825
		412891	Tension (Side) Adjusting Stud Complete 2102 (2), 2103, 412811, 545470
		414680	Shuttle Driving Lever Bearing Screw

PARTS REMOVED

241	Shuttle Carrier Spring Screw
662	Shuttle Tension Regulating Screw
8173	Tension (Side) Spring
8586	Needle Bar Driving Lever Joint Pin
8603	Shuttle and Bobbin Complete 8603-245, 8604
8603-245	Shuttle Complete 662, 8611, 8654
8604	Shuttle Bobbin
8610	Shuttle Carrier Spring
8611	Shuttle Tension Spring
8651	Bobbin Winder Spindle
8654	Shuttle Body
81358	Needle Bar Clamp
81365	Bobbin Winder Spindle Complete (8371 & 8651) for Agent
82007	Feeding Foot
82010	Shaft (Short)
82172	Needle Plate Locating Plunger Spring
82174	Finion Cover Plate
82177	Shuttle Carrier
82181	Shuttle Driving Lever Connecting Rod
82235	Needle Plate (Fine and Medium Needle Holes)
412824	Needle Bar Cam and Pulley Wheel
412826	Shuttle Driving Lever Connecting Rod Complete 82186, 82194, 82236, 543846-101, 543846-104
412821	Needle Bar Piston Joint

SUPPLEMENTARY PARTS LIST FOR 29UL73A MACHINE

(Same as the complete list for 29UL71A with the following exceptions)

PARTS ADDED

81934	Needle Bar Driving Lever Joint Pin
82011	Shaft (Long)
82238	Shuttle Driving Lever Connecting Rod
412854	Needle Bar Cam and Pulley Wheel
412856	Needle Bar Piston Joint
412871	Needle Bar Driving Lever (Body) Complete 1801, 412872, 543839-001
412872	Needle Bar Driving Lever (Body)
412886	Needle Bar Cam and Pulley Wheel with 414645
412887	Shuttle Driving Lever Connecting Rod Complete 82186, 82194, 82236, 543846-101, 543846-104
412888	Needle Bar Driving Lever Complete 8589, 8659, 82219, 412838, 412856, 412871, 414661, 541466, 541471, 543841-101
414640	Shuttle Driving Lever Bearing Screw

Part No.	Description	Part No.	Description
<u>PARTS REMOVED</u>		<u>OPTIONAL ACCESSORIES</u>	
Lever	8586 Needle Bar Driving Lever Joint Pin	82113	Machine Base (for 29U172A, 173A M/C)
	82010 Shaft (Short)	82214	Machine Base (for 29U171A M/C)
	82232 Shuttle Driving Lever Connecting Rod	412899	Belt Guard Complete 412900, 500257-850 (2), 543803-005 (2)
	412804 Needle Bar Cam and Pulley Wheel	412900	Belt Guard
	412806 Shuttle Driving Lever Connecting Rod Complete 82186, 82194, 82232, 543846- 101, 543840-104	414664	Machine Screw (for Fastening Base to Machine) (4)
	412821 Needle Bar Piston Joint	500257-850	Belt Guard Screw (2)
	412832 Needle Bar Cam and Pulley Wheel with 414645	543803-005	Belt Guard Washer (2)
	412833 Needle Bar Driving Lever Complete 8589, 8659, 82219, 412821, 412834, 412838, 414661, 541466, 541471, 543841-101		
	412834 Needle Bar Driving Lever (Body) Complete 1801, 412837, 543839-001		
	412837 Needle Bar Driving Lever (Body)		
	414680 Shuttle Driving Lever Bearing Screw		

OPTIONAL PARTS

	662 Shuttle Tension Regulating Screw
	8557 Feeding Foot (Narrow Fork, Fine)
	8558 Feeding Foot (Narrow Fork, Coarse)
	8604 Shuttle Bobbin
	8654 Shuttle Body
	8666 Feeding Foot (for Waxed Thread)
	81876 Shuttle Tension Spring (Heavy) (for 29U171A, 173A M/C)
	81964 Shuttle and Bobbin Complete (for Heavy Work) (for 29U171A, 173A M/C)
	81964-945 Shuttle Complete (for Heavy Work)
	82151 Vibrating Presser Lifting Lever (for Light Work)
	82152 Vibrating Presser Lifting Lever (for Heavy Work)
	82202 Needle Plate (Medium and Coarse Needle Holes) (for 29U172A M/C)
	82204 Needle Plate (Medium and Coarse Needle Holes) (for 29U171A, 173A M/C)

ACCESSORIES FOR 29U171A AND 29U173A MACHINES

Lever	Cat.No.	Needle (29 X 4) #18 (6)
86, 412823	3741-82	
	8604	Shuttle Bobbin (for #8603-945) (for 29U171A, 173A M/C) (4)
Box 412826	412895	Needle Bar Threading Wire
	412896-001	Accessories (for 29U171 & 173 M/C)
Box Complete	414665	Machine Screw (for Fastening Machine to Power Table) (4)
82174, 82	541513	Screw Driver (Large)
8, 412882,	541514	Screw Driver (Small)
543847	543803-006	Machine Screw Washer (4)
Box 412828	546923	Oil (Filled with 130 cc Singer Type "B" Oil)

ACCESSORIES FOR 29U172A MACHINE

Lever	Cat.No.	Needle (29 X 4) #18 (6)
82552	3741-82	
	82552	Shuttle Bobbin (for #81952) (for 29U172A M/C) (4)
er Complete	412895	Needle Bar Threading Wire
8221, 412	412896-002	Accessories (for 29U172A M/C)
86, 541471	414665	Machine Screw (for Fastening Machine to Power Table) (4)
er (Body)	541513	Screw Driver (Large)
-001	541514	Screw Driver (Small)
er (Body)	543803-006	Machine Screw Washer (4)
id	546923	Oil (Filled with 130 cc Singer Type "B" Oil)
82052, 4		